

# ND1 B01 D40/VHR lite

Dok-Art. 62040

Die jeweils aktuelle Version ist verfügbar unter / *latest version available at:*  
[http://pdf.mach1kart.de/man\\_62040.pdf](http://pdf.mach1kart.de/man_62040.pdf)

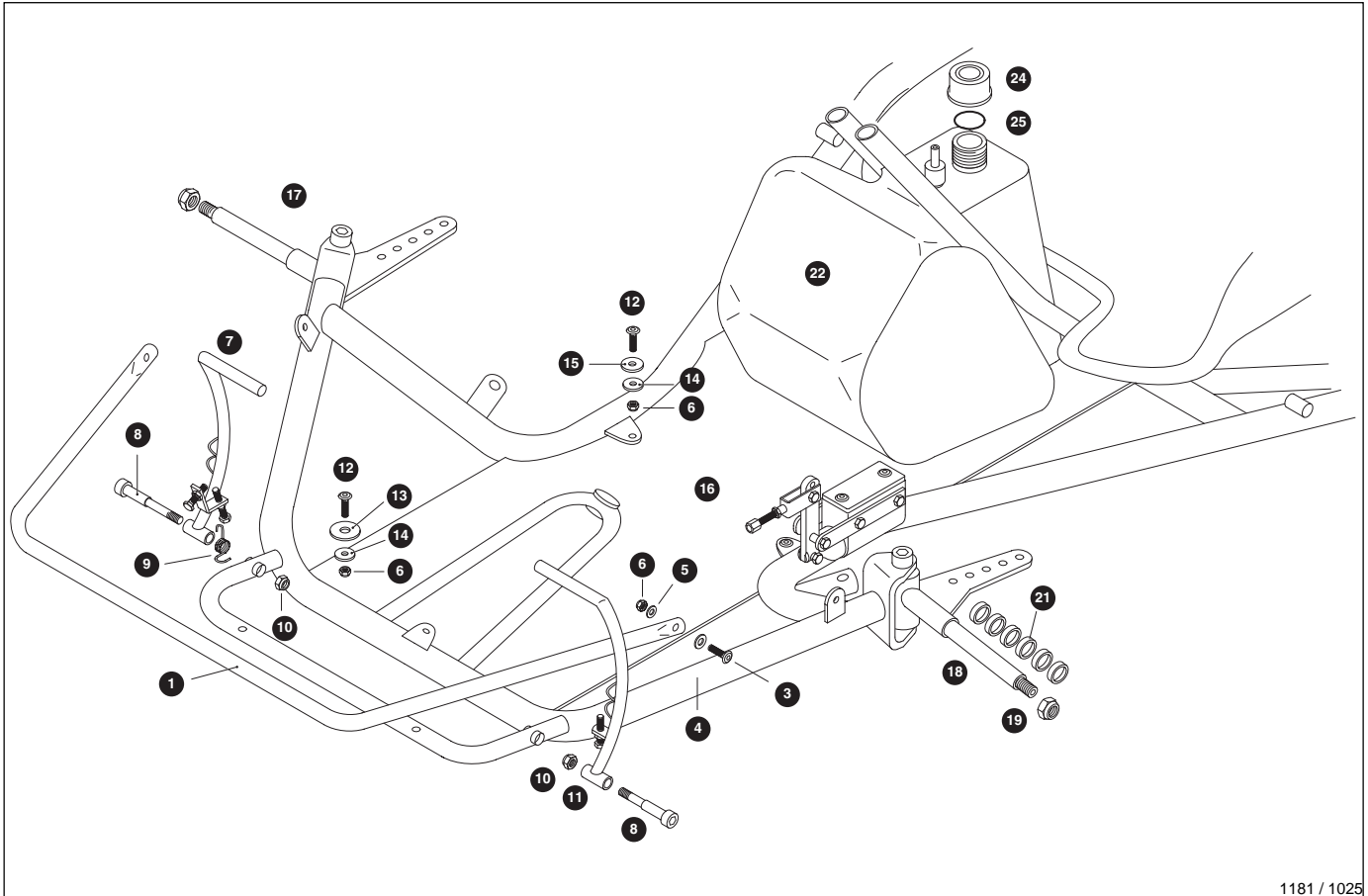


Hetschel GmbH & Co. KG  
Daimlerstr. 16-18  
74336 Meimsheim (GERMANY)  
[www.mach1kart.de](http://www.mach1kart.de)

Wir bitten um Verständnis, dass es wegen unterschiedlicher Ausstattungsvarianten zu Abweichungen in der zeichnerischen Darstellung kommen kann.  
Bei Rückfragen wenden Sie sich bitte an [technik@mach1kart.de](mailto:technik@mach1kart.de)  
*We ask for understanding that figures can differ because of equipment version. With queries turn to [support@mach1kart.de](mailto:support@mach1kart.de)*

Technische Änderungen vorbehalten. Schutzvermerk nach DIN ISO 16016 beachten.  
Copyright © 2016 Hetschel GmbH & Co. KG. All rights reserved.

Rahmen / frame

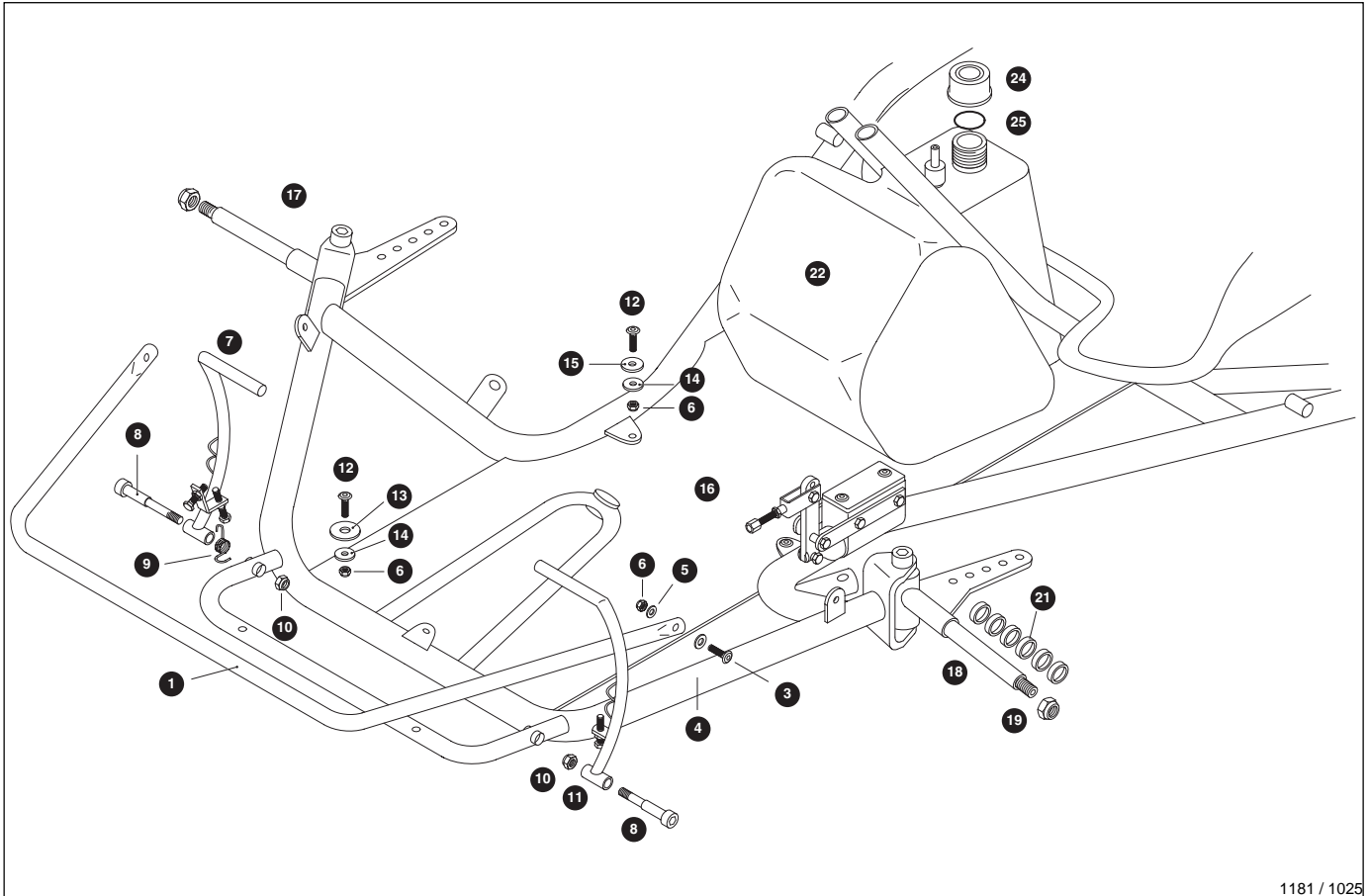


1181 / 1025

| Nr. | Art. | Bezeichnung                     | Description                            | Menge/Pcs. |
|-----|------|---------------------------------|--|------------|
| 1   | 1798 | Schutzbügel vo.                 | front bumper                           | 1          |
| 3   | 2680 | MLF-Schraube M6x16              | cross recessed head screw M6x16        | 2          |
| 4   | 1034 | Rahmen ND1 A01, 1000mm Radstand | frame juvenil kart w/o seat adjustment | 1          |
| 5   | 2645 | Scheibe ø 6 groß                | washer ø 6, big                        | 4          |
| 6   | 2640 | Mutter M6 stop DIN 985          | nut M6 stop DIN 985                    | 8          |
| 7   | 1906 | Gaspedal kurz                   | accelerator pedal short                | 1          |
| 8   | 1910 | Pedalschraube ISK M8x50         | pedal screw M8x50 special              | 2          |
| 9   | 1930 | Gaspedalrückholfeder            | return spring, accelerator pedal       | 1          |
| 10  | 2700 | Mutter M8 stop DIN 985          | nut M8 stop DIN 985                    | 2          |
| 11  | 1905 | Bremspedal kurz, BA             | brake pedal short, BA                  | 1          |
| 12  | 2680 | MLF-Schraube M6x16              | cross recessed head screw M6x16        | 6          |
| 13  | 2551 | Scheibe 6,5x12x1 Nylon          | nylon washer 6,5x12x1                  | 2          |
| 14  | 2550 | Scheibe 6,5x20x2 Gummi schwarz  | rubber washer 6,5x20x2, black          | 6          |
| 15  | 2645 | Scheibe ø 6 groß                | washer ø 6, big                        | 4          |
| 16  | 2548 | Bodenplatte CA2 BA              | floor tray CA2 BA                      | 1          |
| 17  | 2152 | Achsschenkel re. 10°, breit     | stub axle right 100, 10° wide          | 1          |
| 18  | 2151 | Achsschenkel li. 10°, breit     | stub axle left 100, 10° wide           | 1          |
| 19  | 2810 | Mutter M12 stop                 | nut M12 stop                           | 2          |
| 20  | 2106 | Dist.Hülse 17x25x7 Alu          | spacer sleeve 17x25x7 alu              | 10         |
| 21  | 2133 | Radiusscheibe ø 17x25x3         | radius washer ø 17x25x3                | 2          |
| 22  | 5063 | Tank F.L 4 Ltr.                 | tank F.L. 4 ltr.                       | 1          |
| 24  | 2313 | Tankdeckel, 8,5Ltr., Tank #2316 | tank cap for 8,5 l                     | 1          |
| 25  | 2325 | O-Ring 29,2x3                   | o-ring 29,2x3                          | 1          |

weiter / continued...

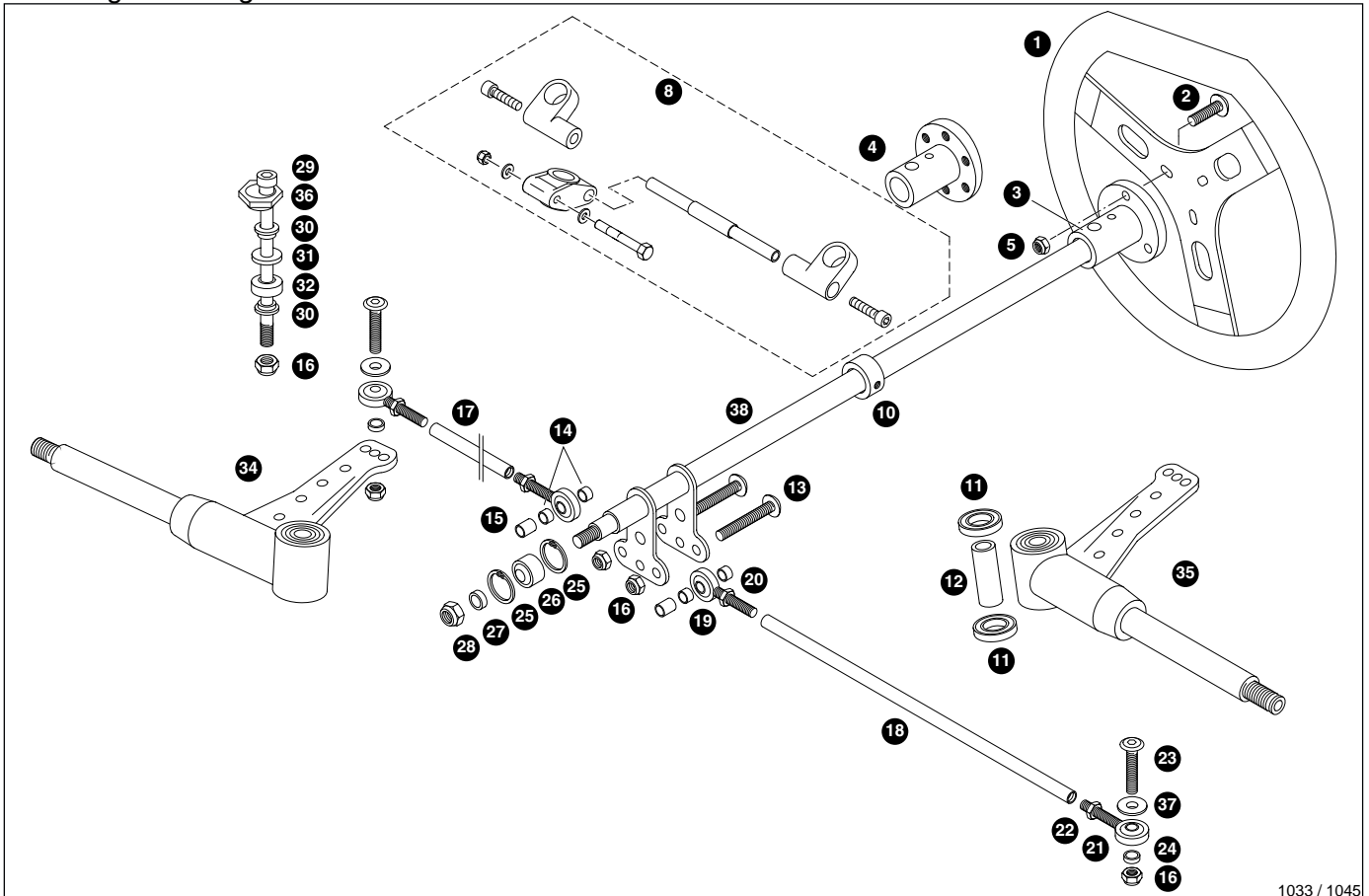
Rahmen / frame



1181 / 1025

| Nr.                                  | Art. | Bezeichnung                        | Description                    | Menge/Pcs. |
|--------------------------------------|------|------------------------------------|--------------------------------|------------|
| <b>Ohne Abbildung / w/o picture:</b> |      |                                    |                                |            |
|                                      | 1964 | Halter li., Seitenverkl. Unico ND1 | holder le., side pod Unico ND1 | 1          |
|                                      | 1965 | Halter re., Seitenverkl. Unico ND1 | holder ri., side pod Unico ND1 | 1          |

Lenkung / Steering

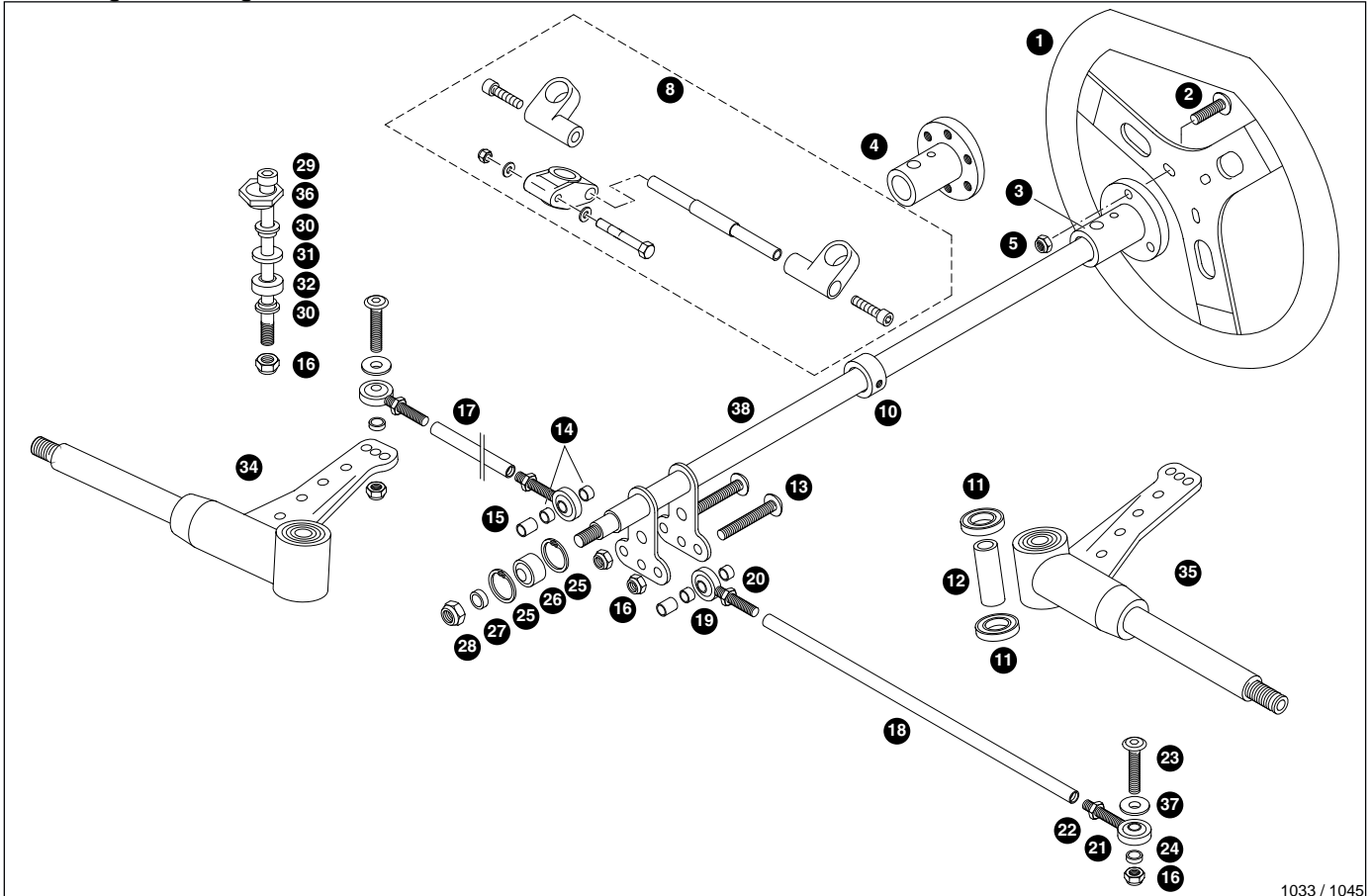


1033 / 1045

| Nr. | Art.  | Bezeichnung                           | Description                              | Menge/Pcs. |
|-----|-------|---------------------------------------|--|------------|
| 1   | 2000  | Lenkrad KG flat-top ø 320 blau, MACH1 | steering wheel Mach1 flat-top ø320 blue  | 1          |
| 2   | 98181 | Linsenflachkopfschraube M6x20         | raised head screw M6x20                  | 3          |
| 3   | 2040  | Lenkradnabe ø 20 gerade               | steering wheel hub ø 20 direct           | 1          |
| 4   | 2039  | Lenkradnabe ø 20 11° schräg           | steering wheel hub ø 20, 11° slant       | 1          |
| 5   | 2640  | Mutter M6 stop DIN 985                | nut M6 stop DIN 985                      | 1          |
| 6   | 2750  | Schraube ISK M8x65 vz                 | hex socket head cap screw M8x65          | 1          |
| 7   | 2709  | Scheibe ø 8,4 vz. DIN 125             | washer ø 8,4 zinc coated, DIN 125        | 1          |
| 8   | 2028  | Lenkteil, 100mm, klemmbar, kpl.       | steering part, 100mm cpl. fixable        | 1          |
| 9   | 1508  | Mutter M8 mit Bund selbstsichernd     | union nut M8 self locking                | 1          |
| 10  | 2029  | Stelling, ø 20, Lenkstange            | collar, ø 20 for steering rod            | 1          |
| 11  | 2260  | Kugellager 608 ZZ 8x22x7              | ball bearing 608 ZZ 8x22x7               | 4          |
| 12  | 2268  | Dist.Hülse 8,2x12x28                  | spacer tube 8,2x12x28                    | 2          |
| 13  | 2764  | MLS-Schraube M8x45                    | slotted countersunk head screw M8x45     | 2          |
| 14  | 2091  | Dist.Hülse 9x12x5                     | space sleeve 9x12x5                      | 4          |
| 15  | 2092  | Dist.Hülse 9x12x9                     | space sleeve 9x12x9                      | 2          |
| 16  | 2700  | Mutter M8 stop DIN 985                | nut M8 stop DIN 985                      | 4          |
| 17  | 2060  | Spurstange 225mm re./li.              | tie rod 225mm right/left                 | 1          |
| 18  | 2060  | Spurstange 225mm re./li.              | tie rod 225mm right/left                 | 1          |
| 19  | 2083  | Gelenkkopf M8 außen li.               | rod end M8 outside left                  | 2          |
| 20  | 2085  | Mutter M8 Linksgewinde schwarz        | nut M8 left-handed thread, black         | 2          |
| 21  | 2082  | Gelenkkopf M8 außen re.               | rod end M8 outside right                 | 2          |
| 22  | 2084  | Mutter M8 vz.                         | nut M8, zinc coated                      | 2          |
| 23  | 2761  | Schraube ISK M8x30 blank              | hex socket head cap screw M8x30 DIN 6912 | 2          |

weiter / continued...

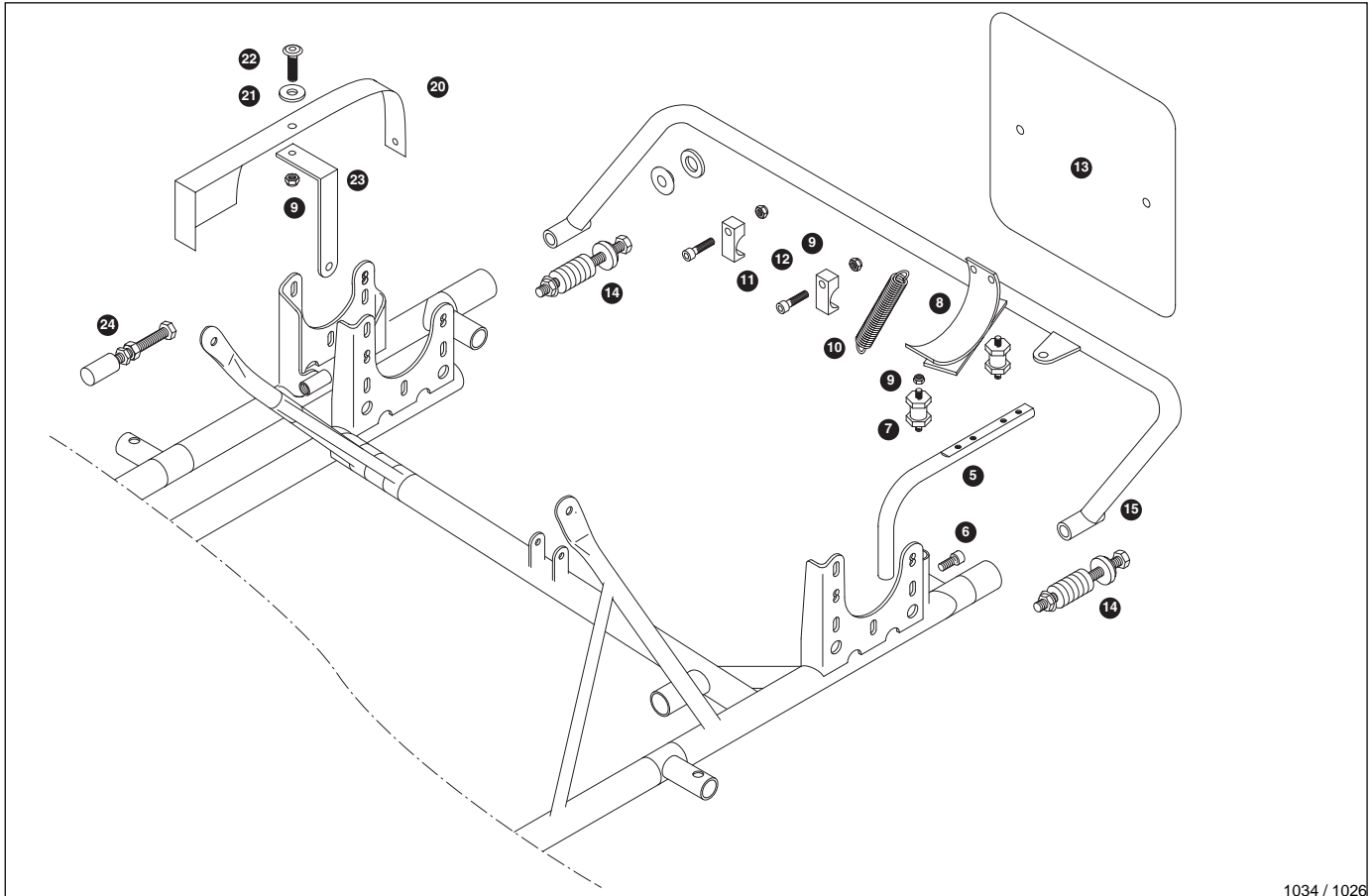
## Lenkung / Steering



1033 / 1045

| Nr. | Art. | Bezeichnung                       | Description                         | Menge/Pcs. |
|-----|------|-----------------------------------|-------------------------------------|------------|
| 24  | 2090 | Dist.Hülse 9x12x3                 | space sleeve 9x12x3                 | 2          |
| 25  | 2042 | Sicherungsring I23 DIN 472        | retaining ring I23 DIN 472          | 2          |
| 26  | 2041 | Kugelgelenkkopf 10mm, Lenkung     | universal joint head 10mm, steering | 1          |
| 27  | 2033 | Dist.Hülse 10x14x4                | spacer 10x14x4                      | 1          |
| 28  | 2770 | Mutter M10 stop                   | nut M10 stop                        | 4          |
| 29  | 2265 | Achsschenkelbolzen d 8x88         | steering knuckle pin d 8x88         | 2          |
| 30  | 2259 | Zentrierscheibe 8x20x9            | center shim 8x20x9                  | 4          |
| 31  | 2266 | Dist.Scheibe 8x25x5               | spacer washer 8x25x5                | 2          |
| 32  | 2267 | Dist.Scheibe 8x25x10              | shim 8x25x10                        | 2          |
| 34  | 2152 | Achsschenkel re. 10°, breit       | stub axle right 100, 10° wide       | 1          |
| 35  | 2151 | Achsschenkel li. 10°, breit       | stub axle left 100, 10° wide        | 1          |
| 36  | 2264 | Exzenter, Nachlaufverstellung 2°  | eccentric, caster dissimulation 2°  | 2          |
| 37  | 2079 | Sicherungsscheibe 8mm, Gelenkkopf | washer 8mm for rod end              | 2          |
| 38  | 2035 | Lenkstange ø 20 490mm lg.         | steering rod ø 20 490mm long        | 1          |

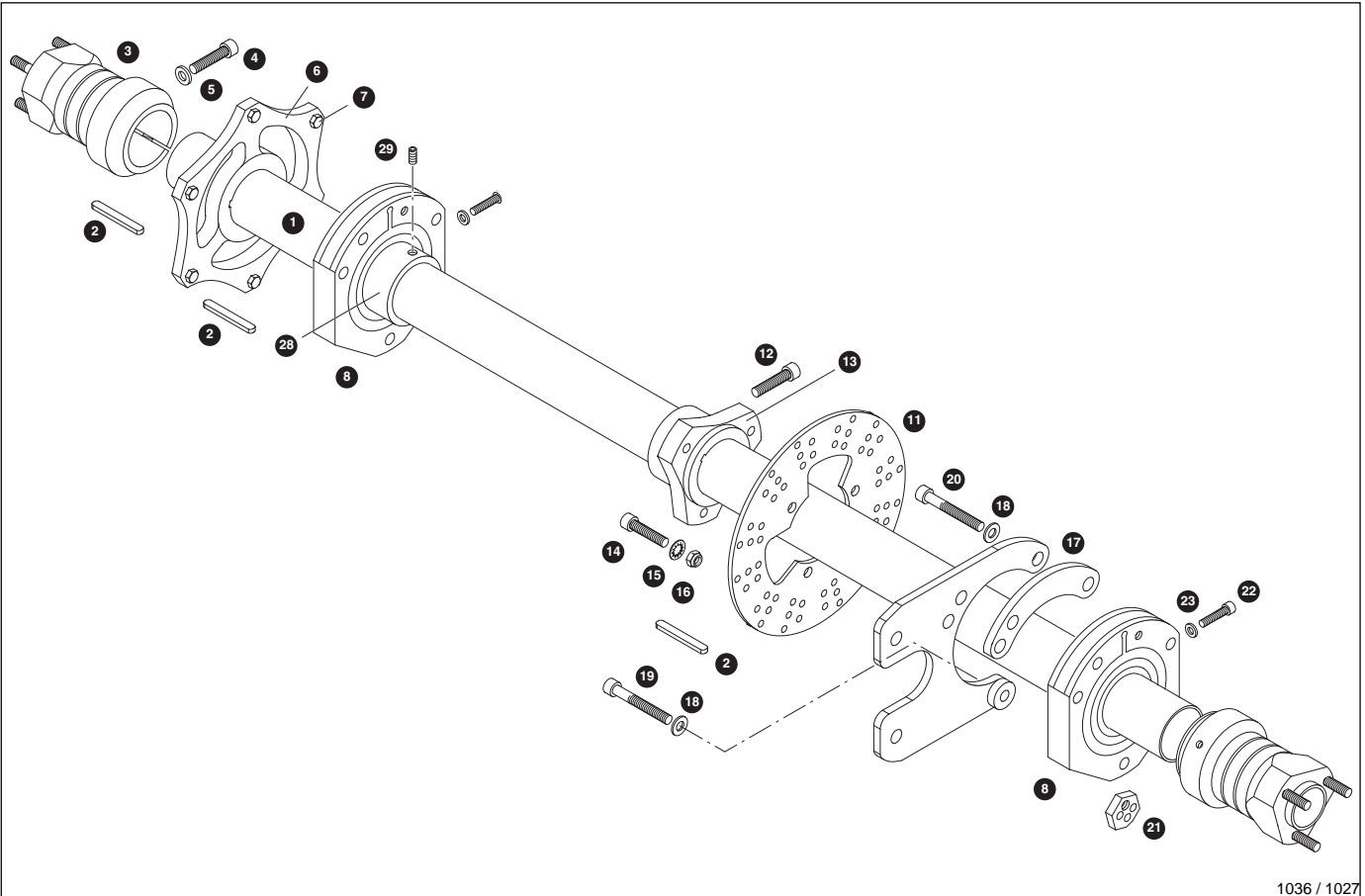
Heck / Rear



1034 / 1026

| Nr. | Art. | Bezeichnung                            | Description                            | Menge/Pcs. |
|-----|------|--|--|------------|
| 5   | 1849 | Bügel, Auspuffhalter ø 16              | bracket, exhaust holder ø 16           | 1          |
| 6   | 2740 | Schraube ISK M8x16 vz                  | hex socket head cap screw M8x16        | 1          |
| 7   | 1870 | Gummimetalllager M6                    | bump rubber M6                         | 2          |
| 8   | 1840 | Auspuffhalter                          | exhaust holder                         | 1          |
| 9   | 2640 | Mutter M6 stop DIN 985                 | nut M6 stop DIN 985                    | 2          |
| 10  | 1850 | Feder 96mm lg., Auspuff                | spring 96mm long, exhaust              | 2          |
| 11  | 2668 | Schraube ISK M6x35 vz                  | hexagon socket screw M6x35             | 2          |
| 12  | 1823 | Befestigungsschelle ø 20               | fastening clamp ø 20                   | 2          |
| 13  | 2384 | Nummernschild rot                      | number plate red                       | 1          |
| 13  | 2383 | Nummernschild blau                     | number plate blue                      | 1          |
| 13  | 2382 | Nummernschild weiß                     | number plate white                     | 1          |
| 13  | 2381 | Nummernschild grün                     | number plate green                     | 1          |
| 13  | 2380 | Nummernschild gelb                     | number plate yellow                    | 1          |
| 14  | 1830 | Bef. Teil ø 28, Sz.                    | mounting part ø 28, rear bumper, set   | 1          |
| 15  | 1747 | Schutzbügel hi. 540mm breit            | front bumper rear, 540mm wide          | 1          |
| 20  | 2341 | Kettenschutz, 125                      | chain guard, 125                       | 1          |
| 21  | 2645 | Scheibe ø 6 groß                       | washer ø 6, big                        | 2          |
| 22  | 2680 | MLF-Schraube M6x16                     | cross recessed head screw M6x16        | 2          |
| 23  | 2351 | Bügel, Kettenschutzhalter              | bow for chain guard                    | 1          |
| 24  | 1638 | Kettenspannschraube mit Kunststoffteil | chain clamping screw with plastic part | 1          |

Hinterachse / Rear axle

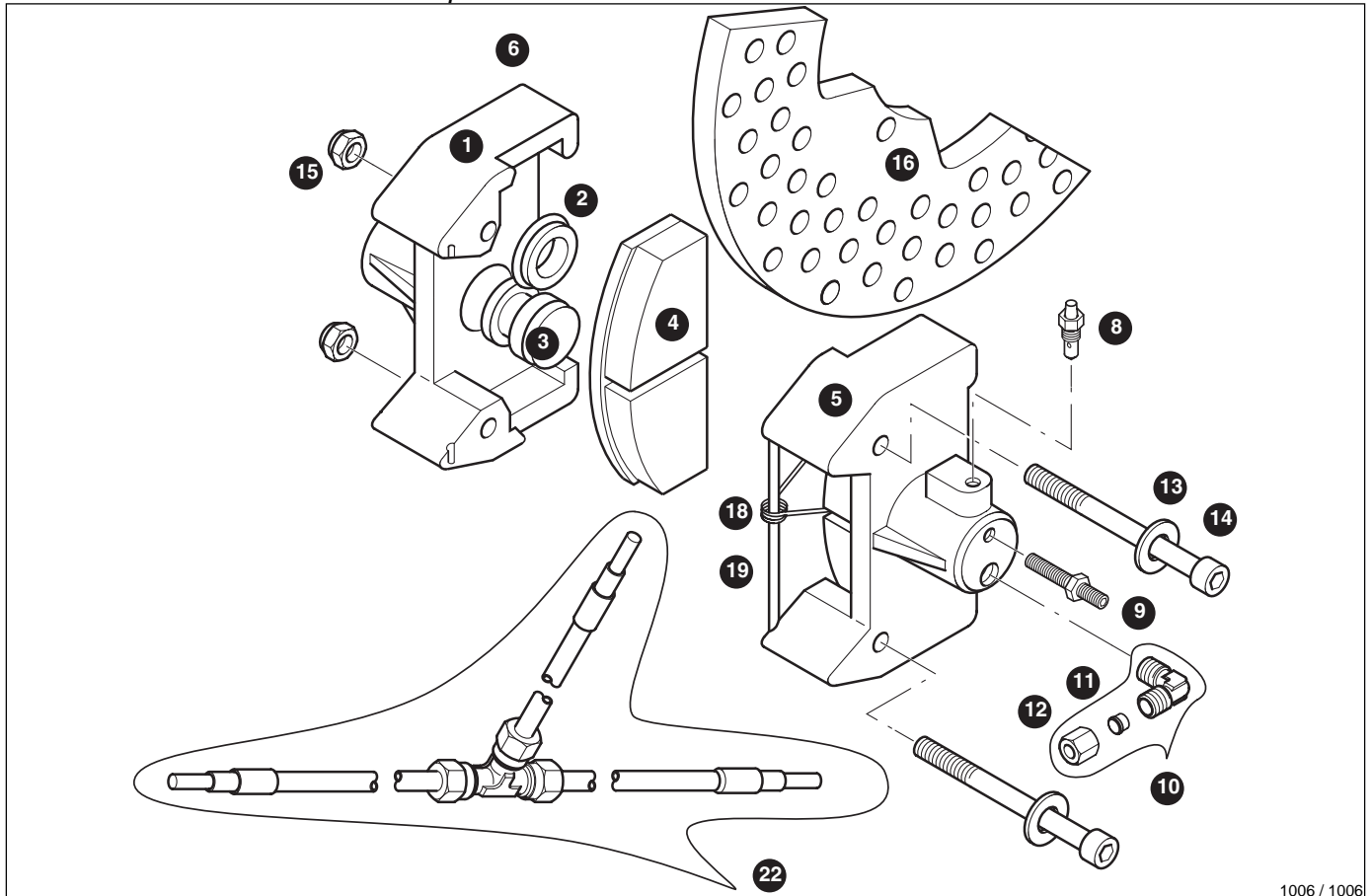


1036 / 1027

| Nr. | Art. | Bezeichnung                            | Description                            | Menge/Pcs. |
|-----|------|--|--|------------|
| 1   | 1579 | Hinterachse 40x1040 B, CA2             | rear axle 40x1040 B, CA2               | 1          |
| 2   | 1562 | Hinterachskeil 6x50x4                  | rear axle key 6x50x4                   | 4          |
| 3   | 1557 | Radstern ø 40, 70mm lg., Alu           | rear hub ø 40, 70mm long, alu          | 2          |
| 4   | 2744 | Schraube ISK M8x35 vz                  | hex socket head cap screw M8x35        | 2          |
| 6   | 1583 | Kettenradträger ø 40, Alu              | chain wheel holder ø 40, alu           | 1          |
| 7   | 2651 | Schraube M6x20 SK                      | hexagon head screw M6x20               | 6          |
| 8   | 1522 | Lagerschale ø 40/50 gesp., LK 100mm    | bearing seat ø 40/50 agog, LK 100mm    | 2          |
| 11  | 1513 | Bremsscheibe hi. gelocht               | rear brake disc punched                | 1          |
| 12  | 2743 | Schraube ISK M8x30 vz                  | hex socket head cap screw M8x30        | 1          |
| 13  | 1572 | Bremsscheibenträger ø 40, Alu          | brake disc holder ø 40, alu            | 1          |
| 14  | 2743 | Schraube ISK M8x30 vz                  | hex socket head cap screw M8x30        | 3          |
| 15  | 2711 | Schnorr-Sicherung ø 8                  | locking washer ø 8                     | 3          |
| 16  | 2703 | Mutter M8 Metall-Stopp                 | nut M8 metal stop                      | 3          |
| 17  | 1140 | Bremshalteblech VHR, LK100             | holding plate brake VHR, LK100         | 1          |
| 18  | 2709 | Scheibe ø 8,4 vz. DIN 125              | washer ø 8,4 zinc coated, DIN 125      | 2          |
| 19  | 2746 | Schraube ISK M8x45 vz                  | hex socket head cap screw M8x45        | 1          |
| 20  | 2747 | Schraube ISK M8x50 vz                  | hex socket head cap screw M8x50        | 2          |
| 21  | 1524 | Exzenter, Höhenverstellung Hinterachse | eccentric, height adjustment rear axel | 2          |
| 22  | 2668 | Schraube ISK M6x35 vz                  | hexagon socket screw M6x35             | 2          |
| 23  | 2638 | Sperrkantring ø 6                      | lock ring ø 6                          | 2          |
| 28  | 1540 | Hinterachslager ø 40                   | rear axle bearing ø 40                 | 2          |
| 29  | 1538 | Sicherungsschraube M8x1x8              | safety screw M8x1x8                    | 6          |

**Bremssystem VHR lite / Braking system VHR lite**

Hinterradbremse / Rear brake caliper



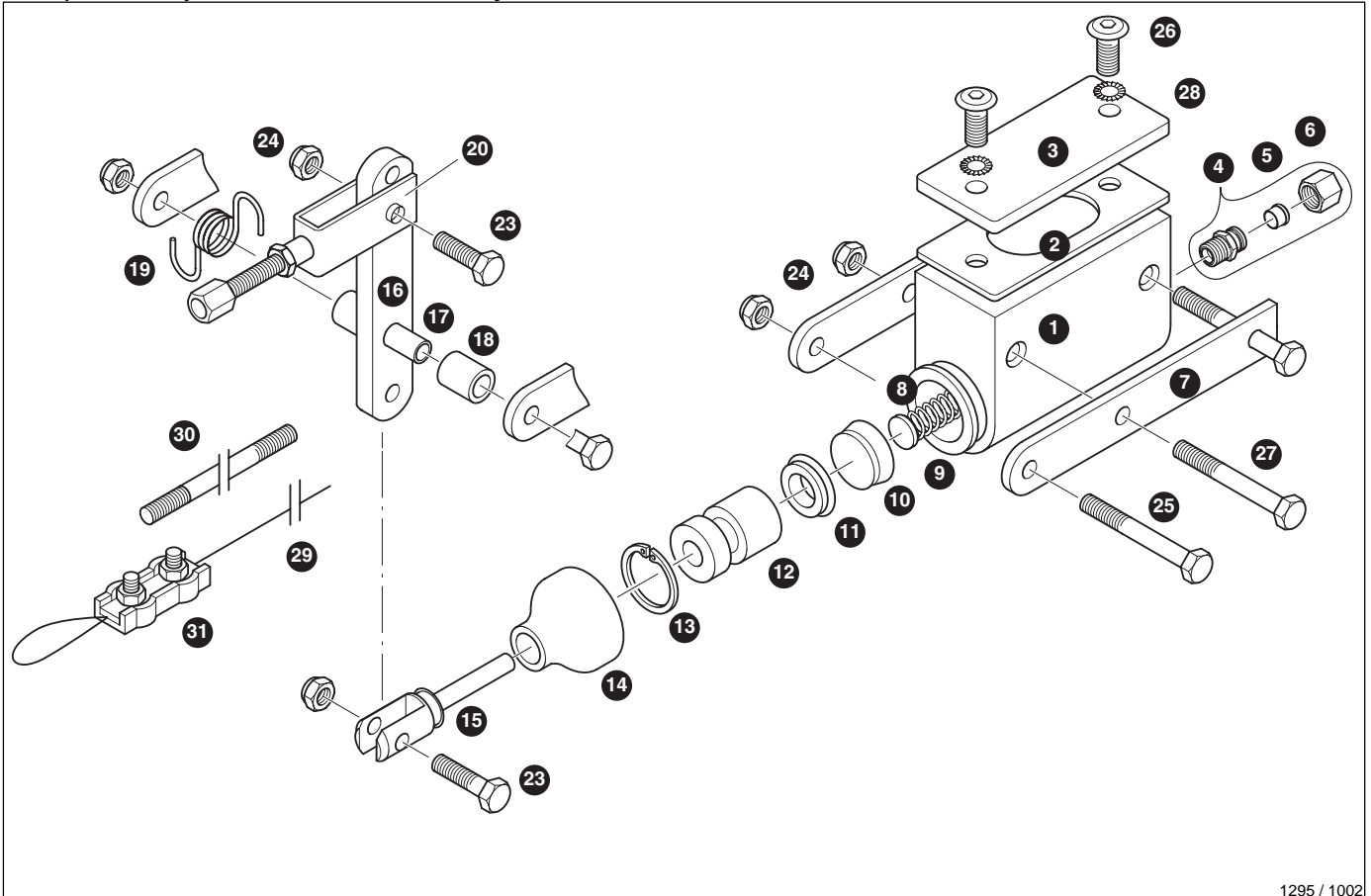
1006 / 1006

| Nr. | Art. | Bezeichnung                           | Description                        | Menge/Pcs. |
|-----|------|---------------------------------------|------------------------------------|------------|
| 1   | 1142 | Hi.Bremse hydr. Hälfte re., nackt     | rear brake hydraulic, right side   | 1          |
| 2   | 1160 | Ringmanschette                        | ring seal                          | 2          |
| 3   | 1150 | Kolben, Bremszylinder                 | piston for brake cylinder          | 2          |
| 4   | 1120 | Bremsbelag hi., Sz.= 2Stk.            | brake pad rear, set = 2pcs.        | 1          |
| 5   | 1141 | Hi.Bremse hydr. Hälfte li., nackt     | rear brake hydraulic, left, bare   | 1          |
| 6   | 1143 | Hi.Bremse hydr., kpl.                 | rear brake hydraulic, compl.       | 1          |
| 8   | 2290 | Entlüfterventil kurz                  | bleeder valve, short               | 2          |
| 9   | 1200 | Stellschraube mit Mutter M6x30        | setscrew with nut M6x30            | 2          |
| 10  | 1181 | Verschraubung M10x1, Winkel           | angle screwing M10x1               | 2          |
| 11  | 1186 | Schneidring                           | cutting ring                       | 2          |
| 12  | 1184 | Überwurfmutter M10x1                  | throw over nut M10x1               | 2          |
| 13  | 2709 | Scheibe ø 8,4 vz. DIN 125             | washer ø 8,4 zinc coated, DIN 125  | 2          |
| 14  | 2753 | Schraube ISK M8x80 vz                 | hex socket head cap screw M8x80    | 2          |
| 15  | 1508 | Mutter M8 mit Bund selbstsichernd     | union nut M8 self locking          | 2          |
| 16  | 1513 | Bremsscheibe hi. gelocht              | rear brake disc punched            | 1          |
| 18  | 1130 | Feder einfach, Bremsbacke             | brake return spring                | 1          |
| 19  | 1131 | Haltestift, Backenfeder               | holder for brake return spring     | 1          |
| 21  | 1182 | Verschraubung M10x1, T-Stück          | T-screwing M10x1                   | 1          |
| 22  | 1235 | Bremsleitung, 1100 Radstand hi., kpl. | brake line 1100 wheel base, compl. | 1          |
| 22  | 1222 | Bremsleitung 100 hi., FIA1, kpl.      | brake line 100 rear cpl., FIA1     | 1          |



# Bremssystem VHR lite / Braking system VHR lite

## Hauptbremszylinder / Master Brake Cylinder



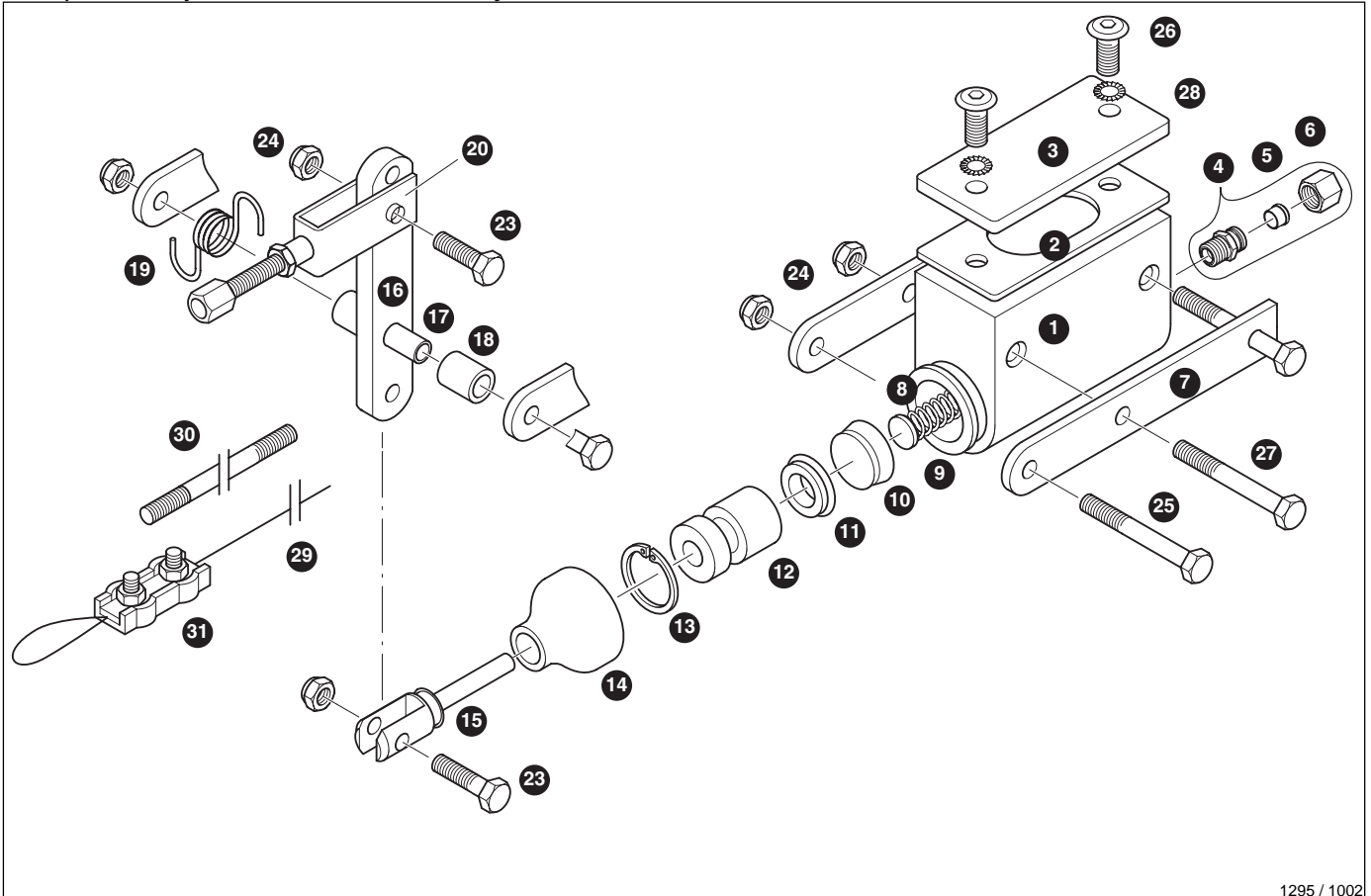
1295 / 1002

| Nr. | Art. | Bezeichnung                         | Description                          | Menge/Pcs. |
|-----|------|-------------------------------------|--------------------------------------|------------|
| 1   | 1230 | Hauptbremszylinder 100/125          | main brake cylinder 100/125          | 1          |
| 2   | 1320 | Dichtung, Deckel Hauptbremszylinder | gasket for cap brake master cylinder | 1          |
| 3   | 1330 | Deckel, Hauptbremszylinder          | cap, main brake cylinder             | 1          |
| 4   | 1183 | Verschraubung M10x1, gerade         | straight screwing M10x1              | 1          |
| 5   | 1186 | Schneidring                         | cutting ring                         | 1          |
| 6   | 1184 | Überwurfmutter M10x1                | throw over nut M10x1                 | 1          |
| 7   | 1245 | Hebellagerung                       | lever bearing                        | 2          |
| 8   | 1260 | Druckfeder                          | pressure spring                      | 1          |
| 9   | 1261 | Tellerscheibe, Feder #1260          | flat wheel for spring #1260          | 1          |
| 10  | 1270 | Topfmanschette                      | hydraulic seal                       | 1          |
| 11  | 1280 | Ringmanschette                      | ring seal                            | 1          |
| 12  | 1250 | Kolben, Bremszylinder               | piston for brake cylinder            | 1          |
| 13  | 1290 | Sicherungsring I22 DIN 472          | retaining ring I22 DIN 472           | 1          |
| 14  | 1400 | Faltenbalg                          | bellows                              | 1          |
| 15  | 1246 | Druckstück                          | pressure piece                       | 1          |
| 16  | 1240 | Hebel                               | lever                                | 1          |
| 17  | 1242 | Dist.Hülse 30mm lg.                 | spacer 30mm long                     | 1          |
| 18  | 1243 | Dist.Stück 12mm lg.                 | spacer 12mm long                     | 2          |
| 19  | 1244 | Feder, Hebel                        | spring for lever                     | 1          |
| 20  | 1241 | Gelenkteil, Zug                     | hinge for pass                       | 2          |
| 23  | 2652 | Schraube M6x25 SK                   | hexagon head screw M6x25             | 1          |
| 24  | 2640 | Mutter M6 stop DIN 985              | nut M6 stop DIN 985                  | 5          |
| 25  | 2655 | Schraube M6x45 SK                   | hexagon head screw M6x45             | 1          |

weiter / continued...

# Bremssystem VHR lite / Braking system VHR lite

## Hauptbremszylinder / Master Brake Cylinder



1295 / 1002

| Nr. | Art. | Bezeichnung            | Description                     | Menge/Pcs. |
|-----|------|------------------------|---------------------------------|------------|
| 26  | 2680 | MLF-Schraube M6x16     | cross recessed head screw M6x16 | 2          |
| 27  | 2656 | Schraube M6x50 SK      | hexagon head screw M6x50        | 2          |
| 28  | 2646 | Schnorr-Sicherung ø 6  | locking washer ø 6              | 2          |
| 29  | 1101 | Bremszug, hydr. Bremse | brake cable, hydraulic brake    | 2          |
| 31  | 2572 | Seilklemme 3mm, Duplex | cable clamp 3mm, Duplex         | 1          |